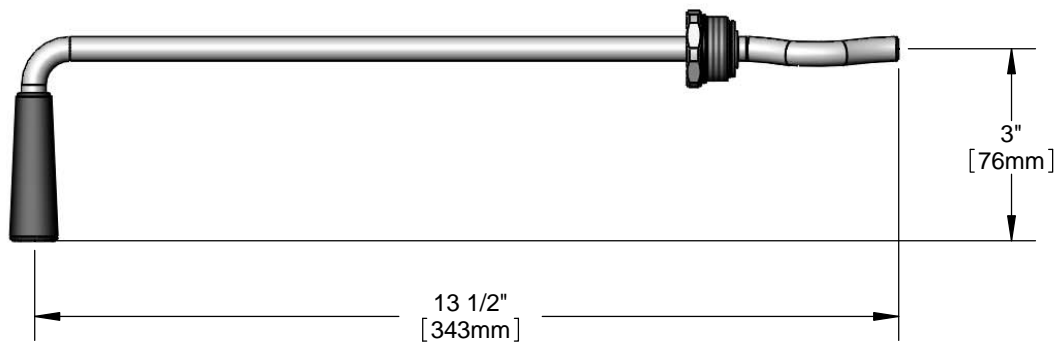
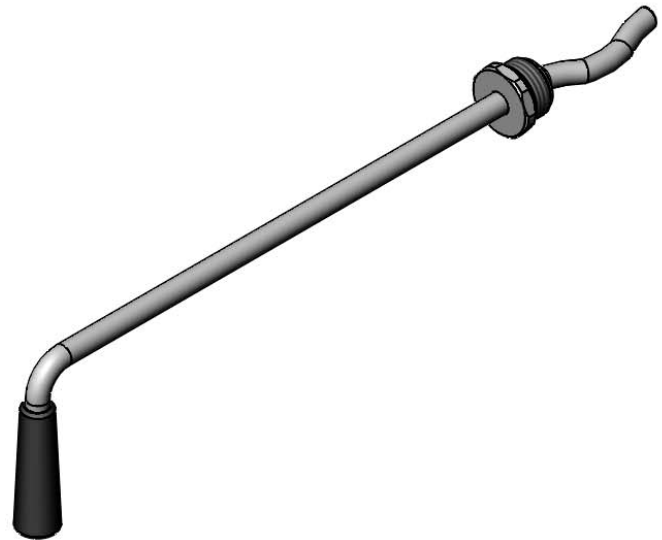




Architect/Engineering Specifications:

Waste drain twist handle.

Job Name _____
 Model Specified _____ Quantity _____
 Variations Specified _____
 Date _____



Features & Benefits:

- Waste drain twist handle
- Material: Stainless Steel

Product Compliance:

- N/A

Warranty: One Year (Limited)

Performance Data:

- N/A

